



# ISO CYLINDERS (ISO 6432 & CETOP RP52P)

## FAE Series



**ISO Cylinders (ISO6432 & CETOP RP52P)**



**Features**

- Magnetic piston is standard in all sizes.**
- Stainless steel barrel insures long life and corrosion resistance for  $\phi 12$  to  $\phi 25$  bores. Anodized aluminum barrel for  $\phi 32$  to  $\phi 40$  bores.
- Anodized aluminum end covers for corrosion resistance.
- Wide range of models allow selection for many applications.
- Mounting nut furnished on all sizes.
- Machined male rod thread with jam nut is standard on all sizes.
- $\phi 32$  and  $\phi 40$  bores offered as extended sizes with similar features.

**Specifications**

150 psi max.

**Conversions**  
 psi =  $\text{kgf/cm}^2 \times 14.2$   
 psi =  $\text{MPa} \times 145$   
 inch =  $\text{mm} \times 0.0394$   
 lb force =  $\text{N} \times 0.22$   
 lbf-in =  $\text{J} \times 8.85$   
 Force lb =  $\text{psi} \times \text{in}^2$   
 $\text{N} = \text{lbf} \times 4.45$

**Effective Piston Areas**

Bore (mm)	Rod Dia (mm)	Push		Pull	
		cm <sup>2</sup>	in <sup>2</sup>	cm <sup>2</sup>	in <sup>2</sup>
12	6	1.1	.17	.8	.13
16	6	2.0	.31	1.7	.26
20	8	3.1	.49	2.6	.40
25	10	4.9	.76	4.1	.63
32	12	8.0	1.25	6.9	1.06
40	16	12.6	1.95	10.6	1.64

Action	Double acting single rod / Double acting double rod
Bore (mm)	$\phi 12, \phi 16, \phi 20, \phi 25, \phi 32, \phi 40$
Operating media	Compressed air
Min. operating pressure	0.07Mpa(0.7kgf/cm <sup>2</sup> )10psi
Max. operating pressure	1.0Mpa(10.5kgf/cm <sup>2</sup> )150psi
Piston speed range	$\phi 12 \sim \phi 25$ : 50 – 1500mm/sec (1.97-59 in/sec) $\phi 32$ & $\phi 40$ : 50 – 500mm/sec (1.97-19.7 in/sec)
Ambient & media temperature	-10°C(14°F) ~ +70°C(158°F) filtered dry air required at temperatures below 0°C (32°F)
Cushion	$\phi 12 \sim \phi 25$ : Rubber cushion standard $\phi 16 \sim \phi 25$ : Air cushion option $\phi 32 \sim \phi 40$ : Adjustable air cushion standard
Lubrication	None required or use ISO VG32
Stroke tolerance (mm)	+1.4 / - 0

**Standard strokes**

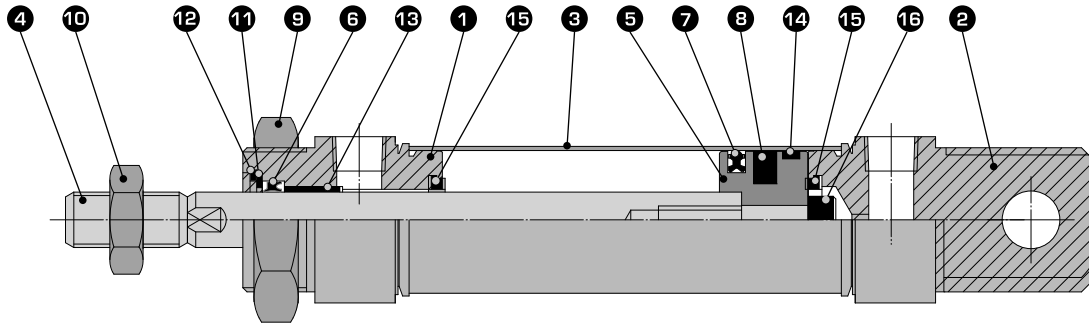
\*Note:  $\phi 12$  &  $\phi 16$  bore double rod, 125mm maximum stroke.  
 $\phi 20$  &  $\phi 25$  bore double rod, 300mm maximum stroke.

Consult factory for delivery and prices of longer or custom strokes

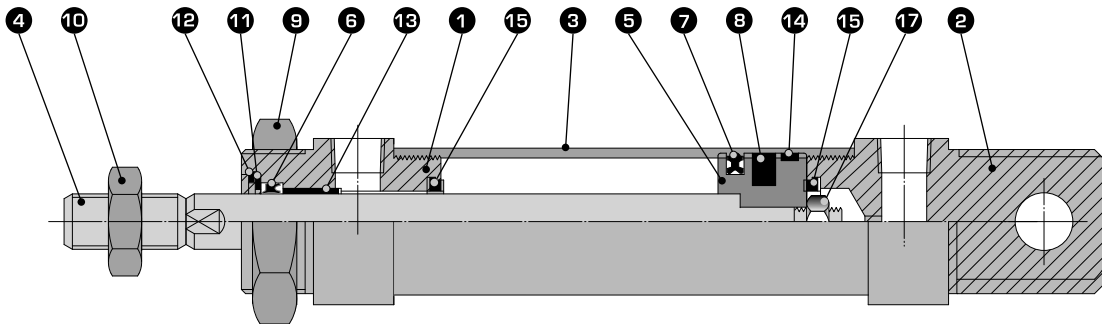
Bore	Standard stroke (mm)																						
	10	15	20	25	30	40	50	60	75	80	100	125	150	160	175	200	250	300	320	350	400	450	500
12*	●			●		●	●			●	●	●		●		●							
16*	●			●		●	●			●	●	●		●		●							
20*	●			●		●	●			●	●	●		●		●	●	●		●	●	●	●
25*	●			●		●	●			●	●	●		●		●	●	●		●	●	●	●
32	●	●	●	●	●	●	●	●	●	●	●	●	●	●	●	●	●	●	●	●	●	●	●
40	●	●	●	●	●	●	●	●	●	●	●	●	●	●	●	●	●	●	●	●	●	●	●

Bore	Maximum stroke (mm)	
	Single rod type	Double rod type
12		
16	400	150
20		
25	800	300
32		
40	1000	500

**ø12~ ø25 Bores**  
 Feature stainless steel barrel and  
 rolled assembly with end caps



**ø32, ø40 Bores**  
 Feature aluminum barrel  
 threaded to end caps



### Parts list

NO	Description	Material	Qty
1	Front end cover	Aluminum alloy (anodized)	1
2	Rear end cover	Aluminum alloy (anodized)	1
3	Barrel	Stainless steel / Aluminum	1
4	Piston rod	Hard chrome plated carbon steel	1
5	Piston	Aluminum alloy	1
6	Piston rod seal	Nitrile - Buna N	1
7	Piston seal	Nitrile - Buna N	1
8	Magnet	Rubber bonded barium ferrite	1
9	Mounting nut	Plated steel	1
10	Hex nut	Plated steel	1
11	Washer	Stainless steel	1
12	Snap ring	Plated steel	1
13	Bearing	Oil filled bronze	1
14	Wear ring	Acetal	1
15	Bumper	Nitrile - Buna N	2
16	Hex socket head screw	Carbon steel	1
17	Hex nut	Carbon steel	1

### Magnetic piston & position sensor information (also see page 10)

- Mounting – Magnetically operated reed switches and electronic sensors can be mounted anywhere along the length and circumference of the cylinder.
- Reliability – The annular piston magnet is permanently bonded into a groove in the piston. It is a polarized permanent magnet of rubber bonded barium ferrite that is very stable and is not affected by shock. Under normal usage it will remain magnetized indefinitely.
- Warning – External magnetic fields and/or ferrous objects may affect the strength of the piston magnet therefore affecting sensor actuation and piston position indication.
- Warning – Do not exceed sensor ratings. Permanent damage to sensor may occur. Power supply polarity **MUST** be observed for proper operation of sensors. See wiring diagrams included with each sensor.

**How to order**

ø32 & ø40 bores offered as extended sizes with similar features.

Note:

\* Leave blank for standard rubber cushion.

**C** (air cushion) is standard feature on ø32 & ø40 bores. (Include in model number.)

**C** is not available on ø12 bore.

Add \$11.15 to prices on ø16, ø20 & ø25.

\* Note: Universal type features threaded nose, threaded rear and rear pivot mounts.

\* Note: Leave blank for universal type.

<b>FAE</b>			<b>20</b> x <b>100</b>	
Series	Cushion	Type	Bore (mm)	Stroke (mm)
	* Rubber cushion		ø12	10 ~ 200
	C Air cushion both ends		ø16	10 ~ 300
			ø20	10 ~ 300
			ø25	10 ~ 300
			ø32	25 ~ 500
			ø40	25 ~ 500
			See standard strokes available on page 2. For longer or custom strokes consult factory.	
			Mounting	
			L	Foot bracket
			F	Front flange
			G	Rear flange
			S	Clevis base bracket and pin
			Y	Rod clevis and pin
			P	Spherical rod end

* Universal	
P Nose mount	
W Double rod	

See individual prices & dimensions on page 11. Option price adders are opposite on page 5.

**Magnetic piston is standard in all sizes.**

**Position Sensors**

Magnetically operated reed switches and electronic sensors can be mounted anywhere along the length and circumference of the cylinder barrel between the end covers.

Order sensors, mounting method and cord sets separately. See page 10.

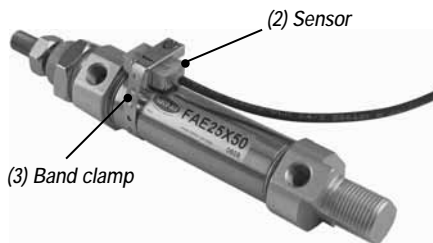


9-2A197 Series – Quick Disconnect Sensor Shown

949 Series – 1/4" Dovetail Sensors

**Ordering Example**

**Cylinders, sensors and accessory items must be ordered as separate line items.**



(2) Sensor with 9 foot leadwire

**(1) Model number FAE 25 x 50**

Double acting, single rod, Universal type cylinder with 25mm bore and 50mm stroke.

**(2) Part number 9-2A197-1031**

Sourcing PNP electronic sensor with a 9 ft lead wire. See details on page 10.

**(3) Part number 800-A00-000**

Band Clamp for clamp on sensor. See details on page 10.



# FAE Series Prices

## ISO Cylinders (ISO6432 & CETOP RP52P)

Prices – Cylinders (Universal & Nose mount "P" type)					
Model #	Weight (kg)	Price	Model #	Weight (kg)	Price
<b>FAE12</b> 10	0.089	\$24.05	<b>FAEC32</b> 10	0.352	\$60.00
25	0.095	24.60	15	0.360	60.00
40	0.101	25.45	20	0.368	61.70
50	0.105	26.00	25	0.376	61.70
80	0.117	27.40	30	0.384	63.35
100	0.125	28.20	40	0.400	63.35
125	0.135	29.20	50	0.416	65.00
160	0.136	30.60	60	0.432	66.70
200	0.146	31.95	75	0.456	68.35
<b>FAE16</b> 10	0.103	\$25.00	80	0.464	68.35
25	0.110	26.40	100	0.496	70.00
40	0.118	26.85	125	0.536	73.35
50	0.123	27.80	150	0.576	78.35
80	0.138	29.60	160	0.592	80.00
100	0.148	30.60	175	0.616	81.70
125	0.160	31.95	200	0.656	85.00
160	0.178	33.75	250	0.736	90.00
200	0.198	35.70	300	0.816	95.00
<b>FAE20</b> 10	0.187	\$26.85	320	0.848	98.35
25	0.199	27.80	350	0.896	101.70
40	0.211	28.75	400	0.976	108.35
50	0.219	29.60	450	1.06	136.70
80	0.242	31.55	500	1.14	145.00
100	0.252	32.40	<b>FAEC40</b> 10	0.598	\$68.35
125	0.278	34.35	15	0.611	68.35
160	0.306	36.55	20	0.623	70.00
200	0.337	38.90	25	0.636	70.00
250	0.377	42.10	30	0.649	71.70
300	0.416	45.45	40	0.674	71.70
350	0.456	48.65	50	0.699	73.35
400	0.495	51.85	60	0.724	75.00
450	0.535	54.60	75	0.762	76.70
500	0.574	57.95	80	0.775	76.70
<b>FAE25</b> 10	0.257	\$30.15	100	0.825	80.00
25	0.276	31.00	125	0.888	85.00
40	0.294	31.95	150	0.951	88.35
50	0.306	32.40	160	0.976	90.00
80	0.344	34.75	175	1.01	91.70
100	0.368	36.15	200	1.08	95.00
125	0.399	37.50	250	1.20	100.00
160	0.442	40.70	300	1.33	105.00
200	0.491	42.65	320	1.38	108.35
250	0.553	46.25	350	1.46	111.70
300	0.614	49.60	400	1.58	118.35
350	0.676	52.80	450	1.71	150.00
400	0.737	53.70	500	1.83	158.35
450	0.799	54.60			
500	0.860	62.95			

Price adder: \$11.25 for option "C" air cushions available on ø16~ ø25 bores. Standard on ø32 & ø40 bores. For longer or custom strokes consult factory.

Prices – Cylinders (Double Rod "W" type)					
Model #	Weight (kg)	Price	Model #	Weight (kg)	Price
<b>FAEW12</b> 10	0.102	\$33.65	<b>FAECW32</b> 10	0.422	\$63.60
25	0.112	34.45	15	0.435	63.60
40	0.121	35.60	20	0.447	65.40
50	0.127	36.40	25	0.460	65.40
80	0.146	38.35	30	0.472	67.15
100	0.158	39.50	40	0.497	67.15
125	0.174	40.85	50	0.522	68.90
<b>FAEW16</b> 10	0.116	\$35.00	60	0.547	70.70
25	0.127	36.95	75	0.584	72.45
40	0.138	37.55	80	0.596	72.45
50	0.145	38.90	100	0.646	74.20
80	0.167	41.45	125	0.708	77.75
100	0.181	42.80	150	0.771	83.05
125	0.199	44.75	160	0.795	84.80
<b>FAEW20</b> 10	0.215	\$37.55	175	0.832	86.60
25	0.233	38.90	200	0.894	90.10
40	0.250	40.25	250	1.01	95.40
50	0.262	41.45	300	1.14	100.70
80	0.297	44.15	320	1.19	104.25
100	0.321	45.35	350	1.27	107.80
125	0.351	48.05	400	1.40	114.85
160	0.392	51.15	450	1.52	144.90
200	0.439	54.45	500	1.64	153.70
250	0.498	58.95	<b>FAECW40</b> 10	0.726	\$72.45
300	0.557	63.60	15	0.746	72.45
<b>FAEW25</b> 10	0.304	\$42.20	20	0.767	74.20
25	0.332	43.40	25	0.787	74.20
40	0.360	44.75	30	0.808	76.00
50	0.378	45.35	40	0.849	76.00
80	0.433	48.65	50	0.890	77.75
100	0.470	50.60	60	0.930	79.50
125	0.516	52.50	75	0.992	81.30
160	0.580	57.00	80	1.01	81.30
200	0.654	59.70	100	1.09	84.80
250	0.746	64.75	125	1.20	90.10
300	0.838	69.45	150	1.30	93.65
			160	1.34	95.40
			175	1.40	97.20
			200	1.50	100.70
			250	1.71	106.00
			300	1.91	111.30
			320	2.00	114.85
			350	2.12	118.40
			400	2.32	125.45
			450	2.53	159.00
			500	2.73	167.85

Price adder: \$11.25 for option "C" air cushions available on ø16~ ø25 bores. Standard on ø32 & ø40 bores. For longer or custom strokes consult factory.

OPTION – Prices	FAE12	FAE16	FAE20	FAE25	FAEC32	FAEC40
"L" for Universal and Double Rod Types -Includes 2 brackets & 2 nuts.	Weight ... Price	Weight ... Price	Weight ... Price	Weight ... Price	Weight ... Price	Weight ... Price
	0.105 . . . . \$4.35	0.105 . . . . \$4.35	0.210 . . . . \$5.00	0.210 . . . . \$5.00	0.24 . . . . . \$6.00	0.45 . . . . . \$7.35
"L" for Nose Mount Type-1 bracket only.	0.04 . . . . . 2.20	0.04 . . . . . 2.20	0.095 . . . . 2.50	0.095 . . . . 2.50	0.11 . . . . . 3.00	0.2 . . . . . 3.70
"F" for all Types-1 flange only	0.025 . . . . 2.20	0.025 . . . . 2.20	0.09 . . . . . 2.50	0.09 . . . . . 2.50	0.11 . . . . . 3.70	0.2 . . . . . 6.20
"G" for Universal Type-1 flange only.	0.025 . . . . 2.20	0.025 . . . . 2.20	0.09 . . . . . 2.50	0.09 . . . . . 2.50	0.11 . . . . . 3.70	0.2 . . . . . 6.20
"S" for Universal Type-1 clevis bracket and pin.	0.04 . . . . . 4.50	0.04 . . . . . 4.50	0.085 . . . . 5.20	0.085 . . . . 5.20	0.16 . . . . . 10.35	0.3 . . . . . 10.85
<b>ACCESSORY – Prices</b>	<b>FAE12</b>	<b>FAE16</b>	<b>FAE20</b>	<b>FAE25</b>	<b>FAEC32</b>	<b>FAEC40</b>
"Y" for all Types-Rod clevis and pin.	Weight ... Price	Weight ... Price	Weight ... Price	Weight ... Price	Weight ... Price	Weight ... Price
	0.02 . . . . . \$5.25	0.02 . . . . . \$5.25	0.05 . . . . . \$6.25	0.10 . . . . . \$10.45	0.10 . . . . . \$10.45	0.15 . . . . . \$12.50
"P" for all Types-Spherical rod end.	0.025 . . . . 12.35	0.025 . . . . 12.35	0.045 . . . . 13.00	0.07 . . . . . 15.20	0.07 . . . . . 15.20	0.11 . . . . . 17.35

All weights are estimates .(kg)

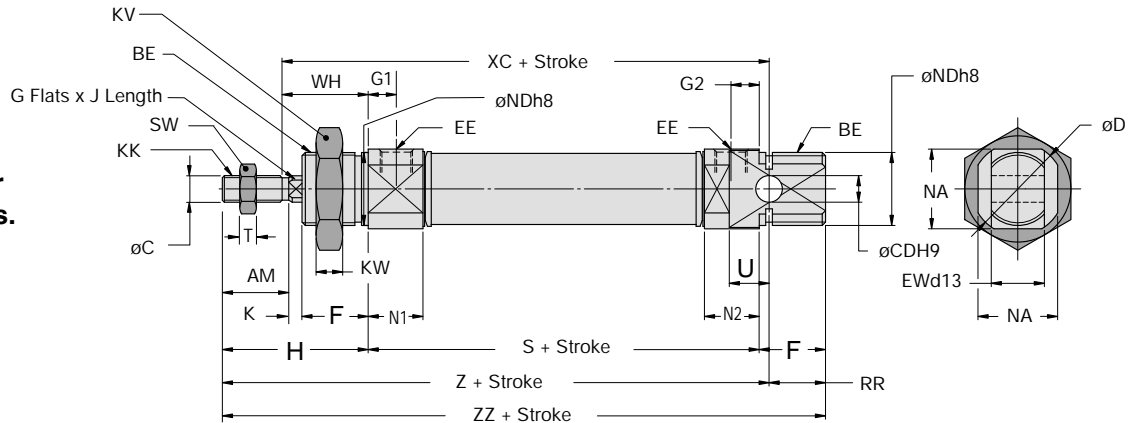
See individual parts and accessory prices & dimensions on page 11.

# FAE Series Dimensions (mm)

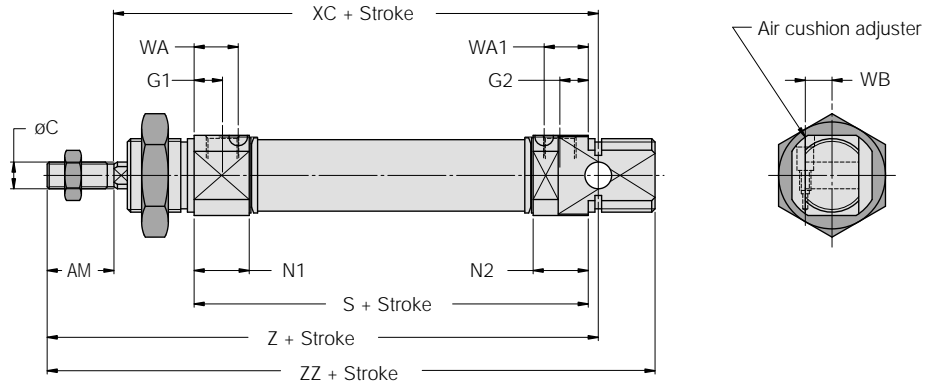
## ISO Cylinders (ISO6432 & CETOP RP52P)

**Universal Type  
 Basic Model  
 ø12~ ø25 Bores**

Features threaded nose, threaded rear & rear pivot mounts.



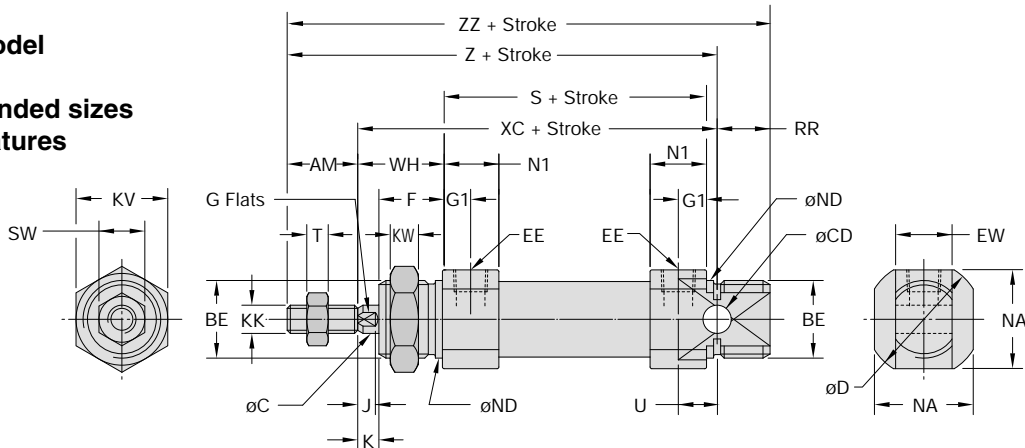
**Universal Type  
 Air Cushion Model  
 ø16~ ø25 Bores  
 Dimensions are in ( \_ )**



Dimensions in ( \_ ) are for Air Cushion Models

Bore	AM	BE	øC	øCD	øD	EE	EW	F	G	G1	G2	WA	WA1	WB	H	J	K	KK	KV	KW	NA	N1	N2	øND	RR	S	SW	T	U	WH	XC	Z	ZZ
Ø12	16	M16x1.5	6	6	19.7	M5x0.8	12	17	-	8	6	-	-	-	38	-	5	M6x1.0	24	8	18.3	12.5	10.5	16	14	50	10	5	9	22	75	91	105
Ø16	16	M16x1.5	6	6	19.8	M5x0.8	12	17	-	6 (5.5)	6 (5.5)	9	9	6.6	38	-	5	M6x1.0	24	8	18	11.5	11.5	16	13	56	10	5	9	22	82	98	111
Ø20	20	M22x1.5	8	8	27.9	G 1/8"	16	20	7	8.5	8.5	13.2	13.2	8	44	6	4	M8x1.25	32	11	24	16.5	16.5	22	17	68	13	7	12	24	95	115	132
Ø25	22	M22x1.5	10	8	33.4	G 1/8"	16	22	9	8	11	12.5	16	10.25	50	6	6	M10x1.25	32	11	30	16.5	20	22	15.5	69.5	17	8	12	28	104	126	141.5

**Universal Type  
 Air Cushion Model  
 ø32, ø40 Bores  
 offered as extended sizes  
 with similar features**



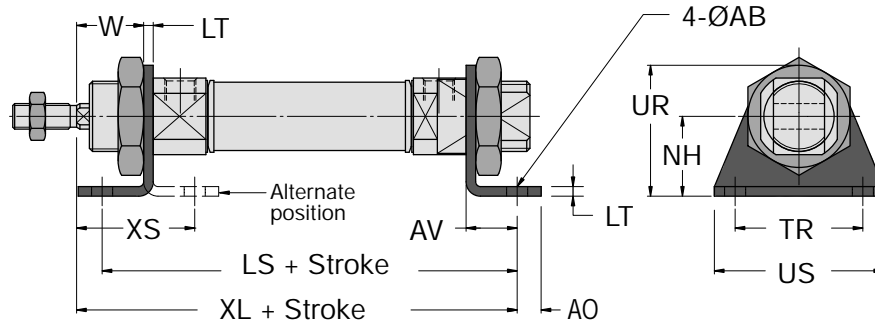
Bore	AM	BE	øC	øCD	øD	EE	EW	F	G	G1	J	K	KK	KV	KW	NA	N1	øND	RR	S	SW	T	U	WH	XC	Z	ZZ
Ø32	22	M24x1.5	12	10	40	1/8PT	16	20	10	9	7	10	M10x1.25	32	10	37	17	24	10	74	17	6	16	30	120	142	152
Ø40	24	M30x1.5	16	12	49	1/8PT	20	20	13	10	8	9	M12x1.25	41	10	46	18	30	12	84	19	7	16	29	129	153	165

# FAE Series Dimensions (mm)

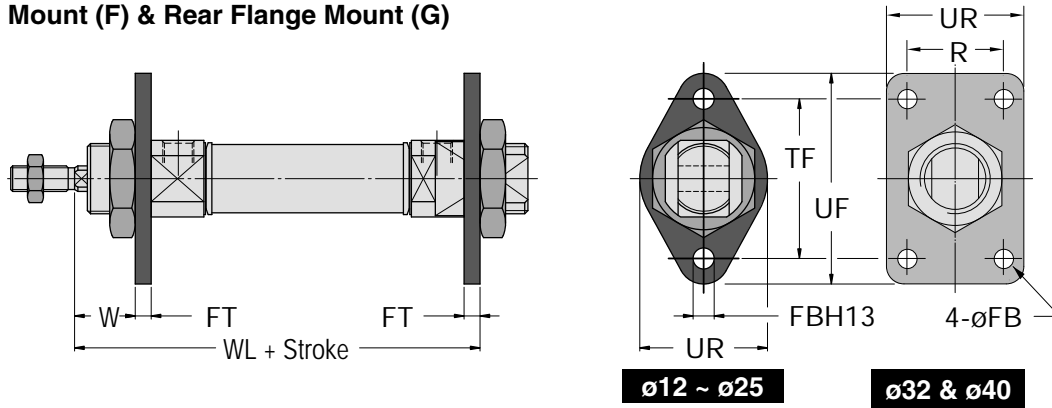
## ISO Cylinders (ISO6432 & CETOP RP52P)

ø32, ø40 Bores offered as extended sizes with similar features

● **Foot Mount (L)**



● **Front Flange Mount (F) & Rear Flange Mount (G)**

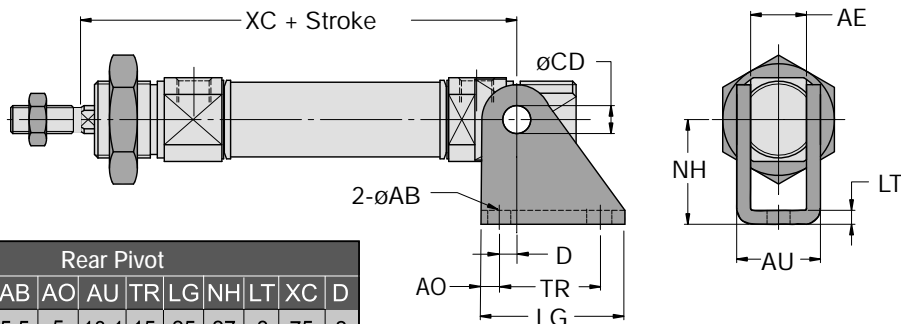


**ø12 ~ ø25**

**ø32 & ø40**

Bore	Foot bracket											Front flange / Rear flange								
	AO	US	øAB	LT	NH	LS	XL	TR	XS	AV	UR	W	UR	FB	FT	TF	UF	W	WL	R
Ø12	6	43	5.5	3	20	76	85	32	32	13	32.5	19	28	5.5	3	40	51	19	75	—
Ø16	6	43	5.5	3	20	82	91	32	32	13	32.5	19	28	5.5	3	40	51	19	81	—
Ø20	7.5	53	6.6	3	25	100	108	40	37	16	41	21	40	6.6	5	50	66	19	97	—
Ø25	7.5	53	6.6	3	25	101.5	113.5	40	41	16	41	25	40	6.6	5	50	66	23	102.5	—
Ø32	8	59	6.6	4	32	124	129	45	51	25	51	26	47	6.6	5	58	72	25	109	33
Ø40	8	64	6.6	4	36	134	138	50	50	25	59	25	50	7	5	70	84	24	118	36

● **Rear Pivot Mount (S)**



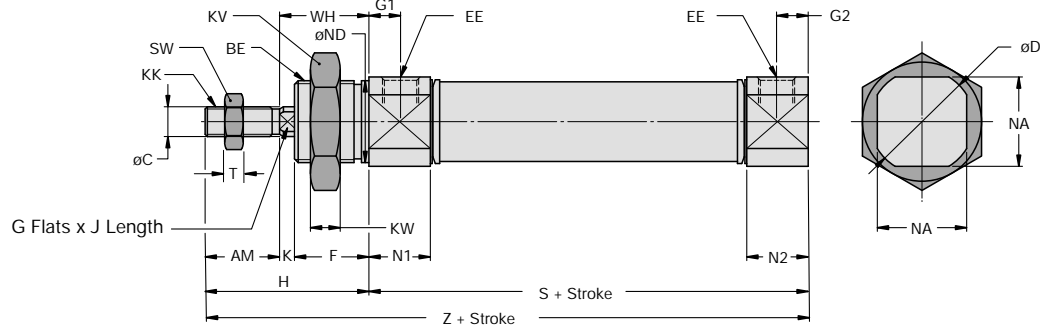
Bore	Rear Pivot										
	CD	AE	AB	AO	AU	TR	LG	NH	LT	XC	D
Ø12	6.1	12.1	5.5	5	18.1	15	25	27	3	75	2
Ø16	6.1	12.1	5.5	5	18.1	15	25	27	3	82	2
Ø20	8.1	16.1	6.6	6	24.1	20	36	30	4	95	4
Ø25	8.1	16.1	6.6	6	24.1	20	36	30	4	104	4
Ø32	10.1	16	6.6	12	32	18	40	32	8	120	0
Ø40	12.1	20	6.6	13	40	20	45	36	10	129	0

# FAE Series Dimensions (mm)

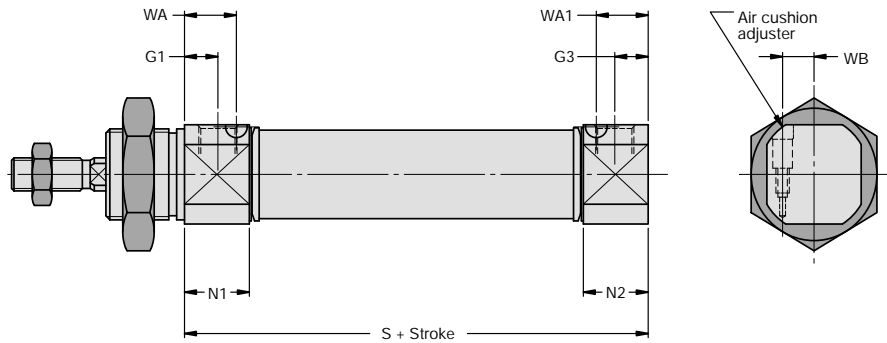
## ISO Cylinders (ISO6432 & CETOP RP52P)

- **Nose Mount**  
 ø12 ~ ø40 bores  
 Features threaded nose,  
 short overall length.

ø32, ø40 Bores offered as extended sizes with similar features



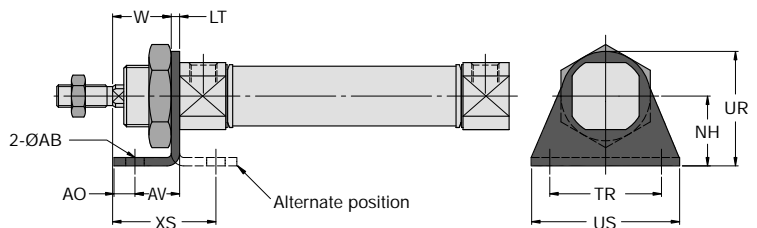
- **Nose Mount**  
 Air Cushion Model  
 ø16 ~ ø40 bores



Bore	AM	BE	ØC	ØD	EE	F	G	G1	G2	G3	WA	W1	WB	H	J	K	KK	KV	KW	NA	N1	N2	ØNDh8	S	SW	WH	Z
Ø12	16	M16X1.5	6	19.7	M5X0.8	17	-	8	6	6	9.5	9.5	5.5	38	-	5	M6X1.0	24	8	18.3	12.5	10.5	16	50	10	22	88
Ø16	16	M16X1.5	6	19.8	M5X0.8	17	-	6	6	6	9	9	6.6	38	-	5	M6X1.0	24	8	18	11.5	11.5	16	56	10	22	94
Ø20	20	M22X1.5	8	27.9	G1/8"	20	7	8.5	8	8.5	13.2	13.2	8	44	6	4	M8X1.25	32	11	24	16.5	15.5	22	67	13	24	112
Ø25	22	M22X1.5	10	33.4	G1/8"	22	9	8	11	8	12.5	11.5	10.25	50	6	6	M10X1.25	32	11	30	16.5	20	22	64	17	28	119.5
Ø32	22	M24X1.5	12	40	1/8PT	20	10	9	9	9				52	6	10	M10X1.25	32	10	37	17	17	24	74	17	30	126
Ø40	24	M30X1.5	16	49	1/8PT	20	13	10	10	10				53	8	9	M12X1.25	41	10	46	18	18	30	84	19	29	137

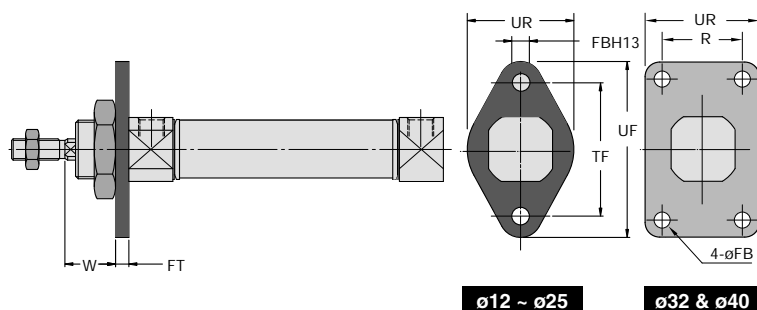
- **Foot Mount (L)**

Bore	AO	US	ØAB	LT	NH	TR	XS	AV	UR	W
Ø12	6	43	5.5	3	20	32	32	13	32.5	19
Ø16	6	43	5.5	3	20	32	32	13	32.5	19
Ø20	7.5	53	6.6	3	25	40	37	16	41	21
Ø25	7.5	53	6.6	3	25	40	41	16	41	25
Ø32	8	59	6.6	4	32	45	54	25	51	26
Ø40	8	64	6.6	4	36	50	54	25	59	25



- **Front Flange Mount (F)**

Bore	UR	FB	FT	TF	UF	W	R
Ø12	28	5.5	3	40	51	19	-
Ø16	28	5.5	3	40	51	19	-
Ø20	40	6.6	5	50	66	19	-
Ø25	40	6.6	5	50	66	23	-
Ø32	47	6.6	5	58	72	25	33
Ø40	50	7	5	70	84	24	36



ø12 ~ ø25

ø32 & ø40

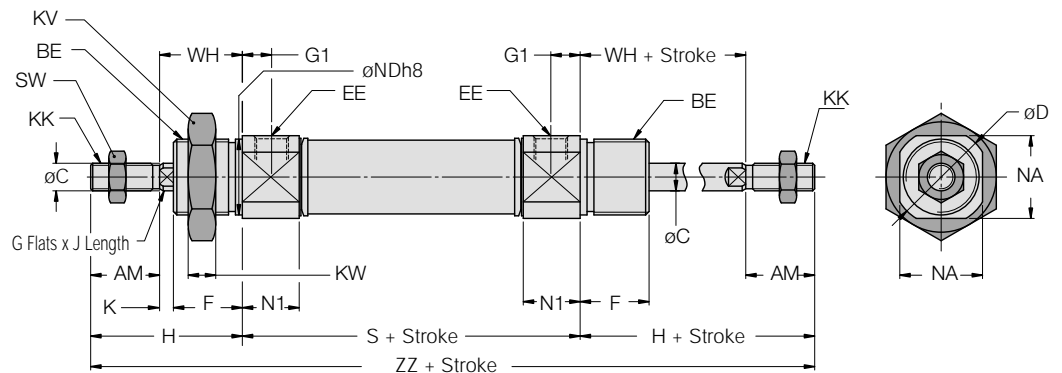


# FAE Series Dimensions (mm)

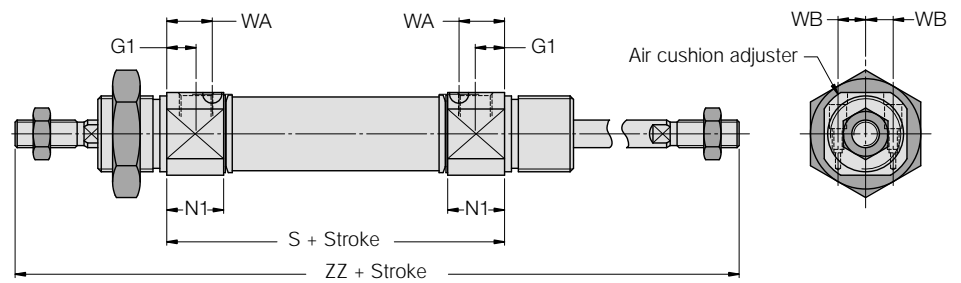
## ISO Cylinders (ISO6432 & CETOP RP52P)

- **Double Rod**  
**ø12 ~ ø40 bores**  
**Features threaded nose at both ends.**

ø32, ø40 Bores offered as extended sizes with similar features



- **Double Rod**  
**Air Cushion Models**  
**ø16 ~ ø40 bores**  
**Dimensions are in ( \_ )**

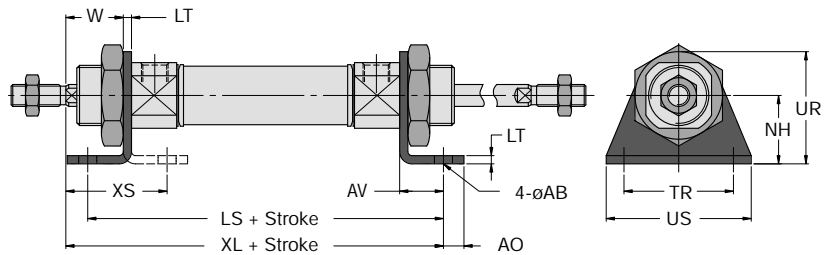


Dimensions in ( \_ ) are for Air Cushion Models

Bore	AM	BE	øC	øD	EE	F	G	G1	WA	WB	H	J	K	KK	KV	KW	N1	NA	øND	S	SW	WH	ZZ
ø12	16	M16X1.5	6	19.7	M5X0.8	17	-	8	9.5	5.5	38	-	5	M6X1.0	24	8	12.5	18.3	16	52	10	22	128
ø16	16	M16X1.5	6	19.7	M5X0.8	17	-	6(5.5)	9	6.6	38	-	5	M6X1.0	24	8	11.5	18	16	56	10	22	132(130)
ø20	20	M22X1.5	8	27.9	G1/8"	20	7	8.5	13.2	8	44	6	4	M8X1.25	32	11	16.5	24	22	68	13	24	156
ø25	22	M22X1.5	10	33.4	G1/8"	22	9	8	12.5	10.25	50	6	6	M10X1.25	32	11	16.5	30	22	66	17	28	169.5
ø32	22	M24X1.5	12	40	1/8PT	20	10	9			52	6	10	M10X1.25	32	10	17	37	24	74	17	30	178
ø40	24	M30X1.5	16	49	1/8PT	20	13	10			53	8	9	M12X1.25	41	10	18	46	30	84	19	29	190

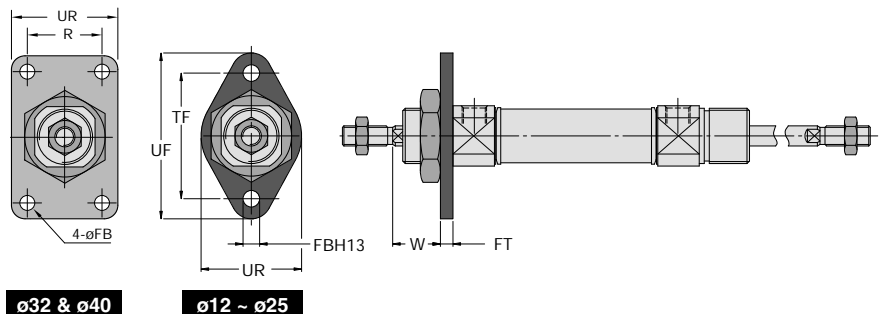
- **Foot Mount (L)**

Bore	AO	US	øAB	LT	NH	LS	XL	TR	XS	AV	UR	W
ø12	6	43	5.5	3	20	78	84	32	32	13	32.5	19
ø16	6	43	5.5	3	20	82	88	32	32	13	32.5	19
ø20	7.5	53	6.6	3	25	100	108.5	40	37	16	41	21
ø25	7.5	53	6.6	3	25	98	106.5	40	41	16	41	25
ø32	8	59	6.6	4	32	124	129	45	51	25	51	26
ø40	8	64	6.6	4	36	134	138	50	50	25	59	25



- **Front Flange Mount (F)**

Bore	UR	FB	FT	TF	UF	W	R
ø12	28	5.5	3	40	51	19	-
ø16	28	5.5	3	40	51	19	-
ø20	40	6.6	5	50	66	19	-
ø25	40	6.6	5	50	66	23	-
ø32	47	6.6	5	58	72	25	33
ø40	50	7	5	70	84	24	36

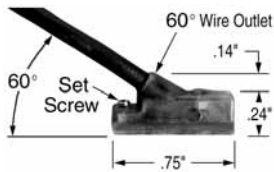


ø32 & ø40

ø12 - ø25

# Position Sensors for FAE Series ISO Cylinders (ISO6432 & CETOP RP52P)

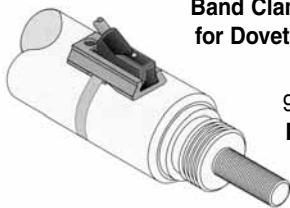
## Dovetail Style Magnetic Position Sensors – Temperature range: -4° to +176°F (-20° to +80C)



Encased in a plastic housing, dovetail style sensors are corrosion resistant. 60° wire outlet allows close mounting.

### Mounting Method #1

Sensor is fastened to the cylinder barrel with a **band clamp** that is not included with sensor and must be ordered separately.



**Band Clamp Adapter for Dovetail Sensors**

**Part No.**  
900-300-000  
**Price:** \$8.15

### Mounting Method #2

Sensor(s) slide into an adhesive backed mounting rail having twin dovetail slots. Sensors are locked with set screws. Rail is supplied with double sided tape affixed.

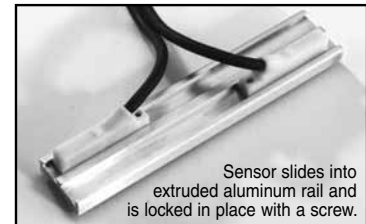


Dovetail mounting rail must be ordered separately. Order by **Part No. "ER – length"** where the length is known, or by **"ER – cylinder model no."**  
 Example: "ER-FAE 25 x 25" the model number of cylinder allows factory to determine the length needed. (Estimated length for pricing purposes is "stroke + 1") Price: \$2.95 + \$1.05 per inch length.

### Application recommendations:

- Clean cylinder body O.D. with acetone. Remove all oil from surface.
- Do not apply the rail over the crimped body edge.
- Double check positioning of the rail.
- High performance double sided tape offers convenient "peel and stick" but is very aggressive, giving you only one chance. Be careful !
- Remove protective film from tape and place rail in desired position.
- Firmly press the rail to cylinder body.

Alternatively, the extruded aluminum rail can be fastened using Loctite® U-05FL urethane adhesive or similar. Follow product manufacturer's recommendations for application.



Sensor slides into extruded aluminum rail and is locked in place with a screw.

Dovetail Style Sensor Selection Guide		Prewired 9 ft. Leadwire	Quick Disconnect*
Sensor Type	Electrical Characteristics	Part No.	Price
Reed (No LED)	0-120 VDC/VAC, 0.5 Amp Max current, 5 Watt Max, 0 Voltage Drop	949-000-001 . . . .	\$18.05
Reed (LED)	5-120 VDC/VAC, 0.03 Amp Max current, 4 Watt Max, 2.0 Voltage Drop	949-000-002 . . . . .	18.85
Electronic (LED)	Sourcing PNP 6-24 VDC, 0.20 Amp Max current, 0.5 Voltage Drop	949-000-031 . . . . .	23.80
Electronic (LED)	Sinking NPN 6-24 VDC, 0.20 Amp Max current, 0.5 Voltage Drop	949-000-032 . . . . .	23.80
		949-000-301 . . . . .	\$25.65
		949-000-302 . . . . .	26.30
		949-000-331 . . . . .	31.30
		949-000-332 . . . . .	31.30

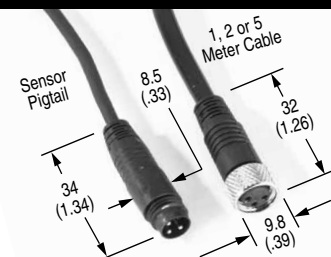
\*Note: Quick disconnect styles are supplied with 6 inch pigtail with male connector. Order female cordsets separately from chart below.

## Clamp-on Style Magnetic Position Sensors – Temperature range: -4° to +176°F (-20° to +80C) Available in pre-wired and quick-disconnect styles

**Prewired style** sensors are supplied with a 9 foot leadwire.



**\*Quick disconnect style** sensors are supplied with male connector. Order female cordsets separately from the first chart below.



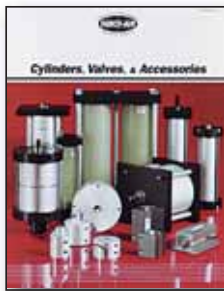
**Band Clamp for Clamp On Sensors**  
 (must be ordered separately)  
 Part No. 800-A00-000 Price: \$6.85



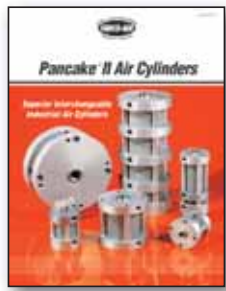
Female Cordsets for Quick Disconnect Sensors		
Cordset Length	Part No.	Price
1 Meter	CFC-1M	\$14.35
2 Meters	CFC-2M	16.05
5 Meters	CFC-5M	20.30

Clamp on Style Sensor Selection Guide		Prewired 9 ft. Leadwire	Quick Disconnect*
Sensor Type	Electrical Characteristics	Part No.	Price
Reed (LED)	5-120 VAC/VDC, 0.5 AMP Max, 10 Watt Max, SPST N.O. 3.5 voltage drop	9-2A197-1003 . . . .	\$29.90
Electronic (LED)	Sourcing, PNP, 6-24 VDC, 0.5 Amp Max, 1.0 voltage drop	9-2A197-1031 . . . .	32.05
Electronic (LED)	Sinking, NPN, 6-24 VDC, 0.5 Amp Max, 1.0 voltage drop	9-2A197-1032 . . . .	32.05
		9-2A197-1303 . . . .	\$38.50
		9-2A197-1331 . . . .	41.10
		9-2A197-1332 . . . .	41.10





*Cylinders, Valves and Accessories  
 Catalog #CV9*



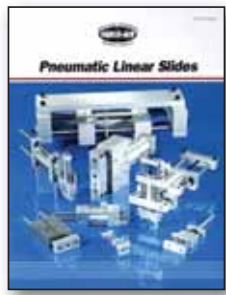
*Pancake® II Air Cylinders  
 Catalog Pan2-2*



*Square Pancake® II Air Cylinders  
 Catalog # SqPan2*



*Multi-Power® Air Presses  
 Catalog # FP16*



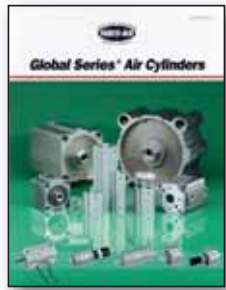
*Linear Slides - 6 Families  
 Catalog # LS-03*



*Pneumatic Grippers,  
 Parallel Jaw and Angular  
 Motion - Catalog # GR-8*



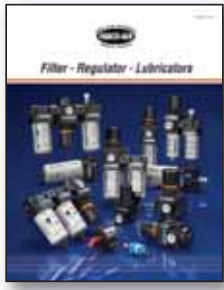
*Interchangeable  
 NFPA Air Cylinders  
 Catalog # NF-6*



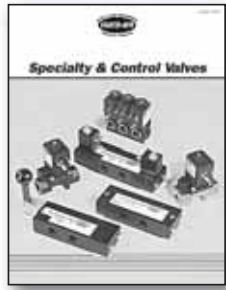
*Global Series™ Metric Air  
 Cylinders - Catalog # GC-15*



*Swing Clamps  
 Bulletin # SC-DB04*



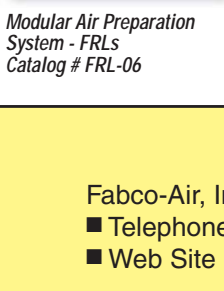
*Modular Air Preparation  
 System - FRLs  
 Catalog # FRL-06*



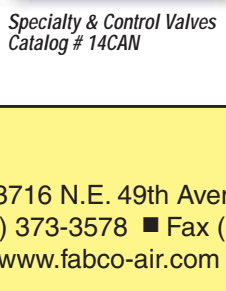
*Specialty & Control Valves  
 Catalog # 14CAN*



*Stopper Cylinders  
 Catalog # ST-SC*



*Stainless Steel Body  
 Air Cylinders  
 Catalog # SSB-03*



*Pneumatic & Hydraulic  
 Swing Clamps  
 Catalog # FML.H*

*Check out these new product lines today !*



*ISO 6431 Cylinders  
 Catalog # FAOR-09*



*Twin Rod, Non-Rotating Air  
 Cylinders - Catalog # FDF-09  
 and Catalog # FDXS-09*



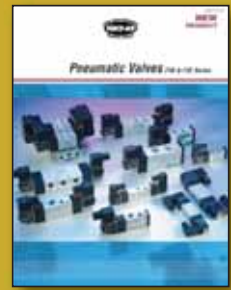
*Pneumatic Angular  
 Motion Grippers  
 Catalog # FKA-09*



*Rotary Actuators, Pneumatic  
 Catalog # FRA.C-09*



*Manifold Solenoid Valves  
 Catalog # FVS.Y-09*



*Air Pilot & Solenoid Valves  
 Catalog # FVA.E-09*